

# Smart Face Access Video Doorbell Mounting Instruction

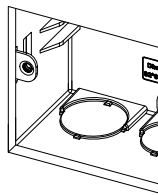


## WARNING

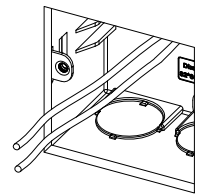
Before installation, please read these Installation Instructions carefully.

1. To prevent the risk of electrocution, turn off the mains electricity supply before commencing work.
2. The device must be installed and connected by skilled electricians. otherwise it may cause short circuit or even fire.

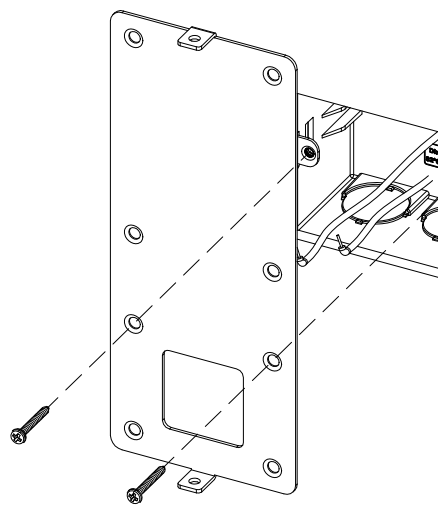
**STEP 1** Clean the wall to keep the wall surface flat.



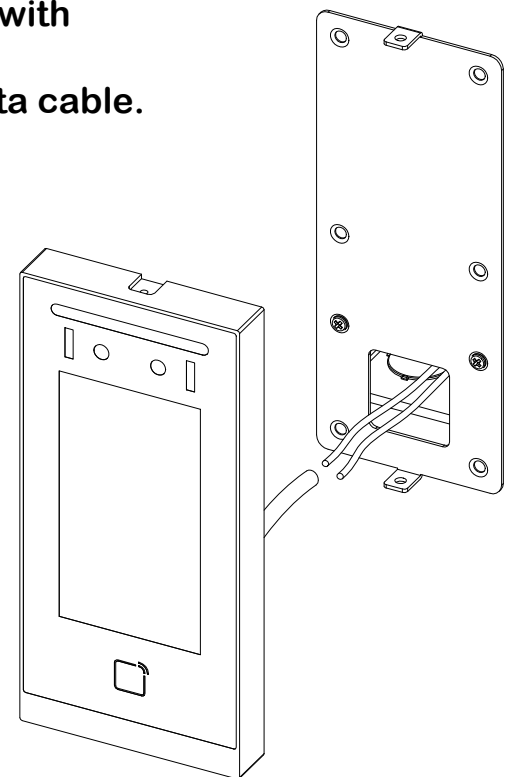
**STEP 2** According to the manual provided with the purchased equipment, arrange the required power and data cables.



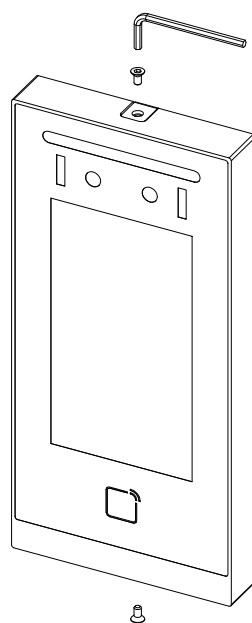
**STEP 3** Screw the metal mounting plate to the mounting box on the wall.



**STEP 4** Connect the device with the wall-reserved power cable and data cable.



**STEP 5** Use the supplied wrench and screws to attach the device to the mounting plate.



**STEP 6** The installation is complete. For the operation of setting up and binding, please refer to the manual provided with the device.

