

Mounting Instruction : Switch Type D



WARNING

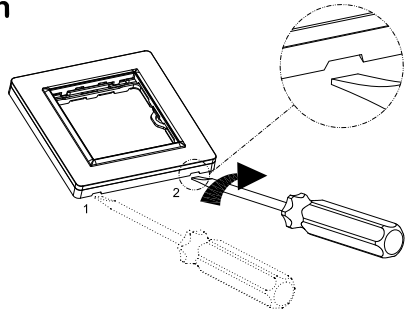
Before installation, please read these Installation Instructions carefully.

1. To prevent the risk of electrocution, turn off the mains electricity supply before commencing work.
2. The device must be installed and connected by skilled electricians, otherwise it may cause short circuit or even fire.

STEP

1

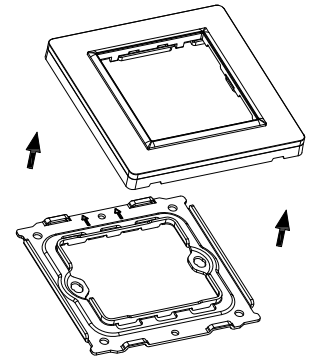
Remove the frame according to the proper position shown in picture.



STEP

2

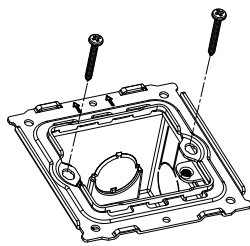
Separate the frame from the mounting plate.



STEP

3

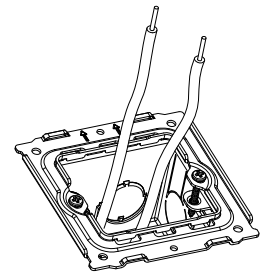
Install the screws. Please note that the mounting torque shall not be greater than 6kg·f, otherwise the mounting plate will be deformed.



STEP

4

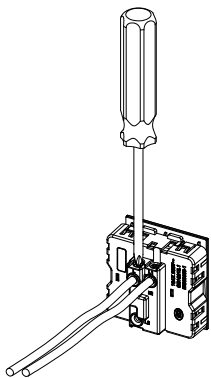
Pull the wire through the hole of mounting plate.



STEP

5

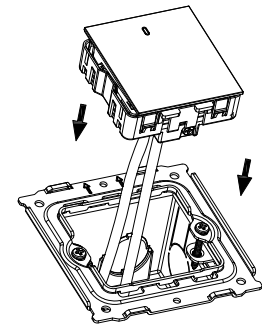
Wiring the product. Please refer to the wiring diagram for wiring modes of various products.



STEP

6

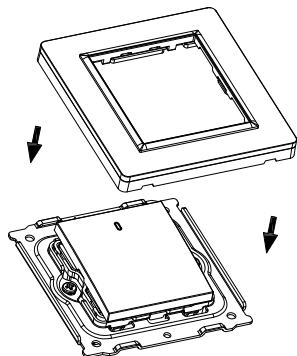
Install the module into the mounting plate.



STEP

7

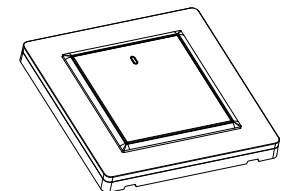
Install the frame.



STEP

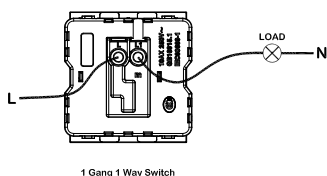
8

Complete the installation.

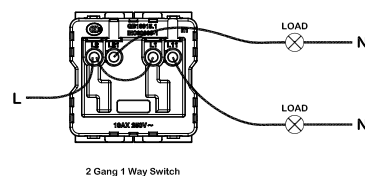


Wiring Diagram : Switch Type D

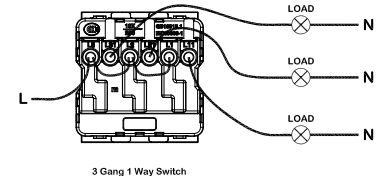
1 Gang 1 Way Switch



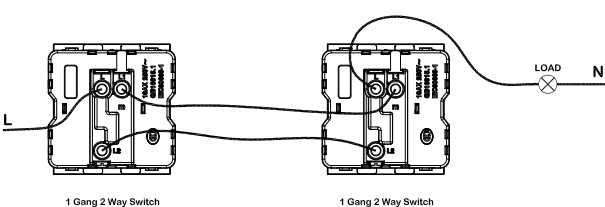
2 Gang 1 Way Switch



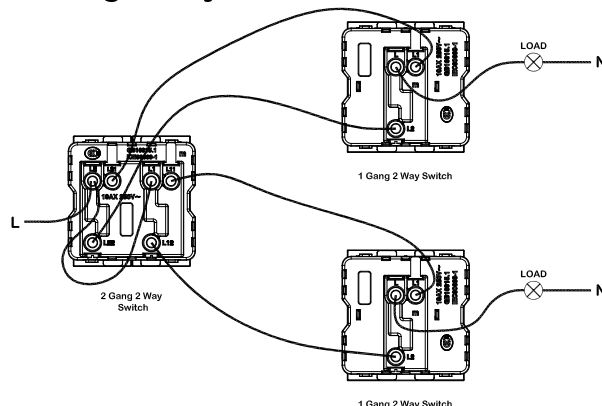
3 Gang 1 Way Switch



1 Gang 2 Way Switch



2 Gang 2 Way Switch



3 Gang 2 Way Switch

