

# Mounting Instruction : Switch Type F



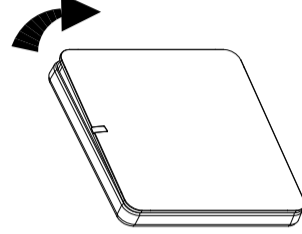
## WARNING

Before installation, please read these Installation Instructions carefully.

1. To prevent the risk of electrocution, turn off the mains electricity supply before commencing work.
2. The device must be installed and connected by skilled electricians otherwise it may cause short circuit or even fire.

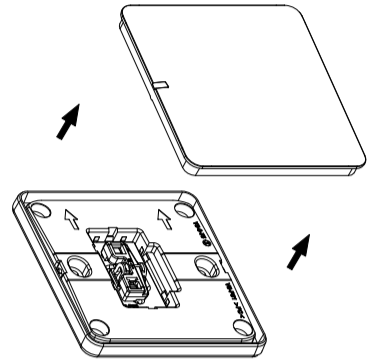
STEP 1

Remove the panel according to the proper position shown in picture.



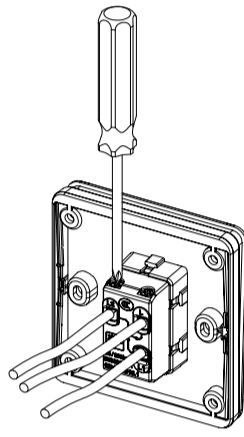
STEP 2

Separate the panel from the mounting plate.



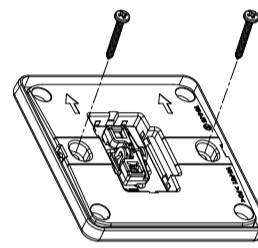
STEP 3

Wiring the product. Please refer to the wiring diagram for wiring modes of various products.



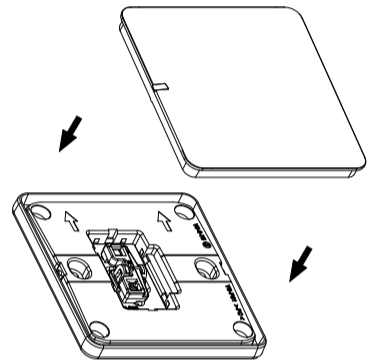
STEP 4

Install the screws. Please note that the mounting torque shall not be greater than 4kg·f, otherwise the mounting plate will be deformed.



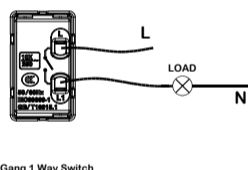
STEP 5

Install the panel and finish the installation.

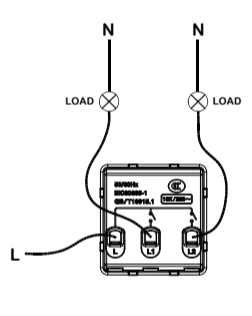


# Wiring Diagram : Switch Type F

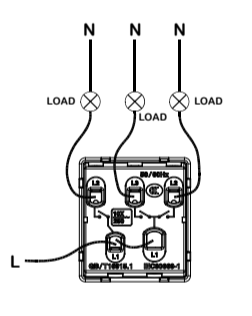
1 Gang 1 Way Switch



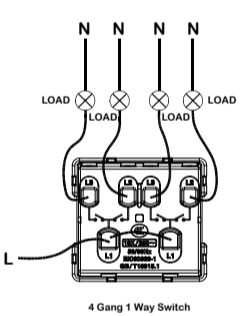
2 Gang 1 Way Switch



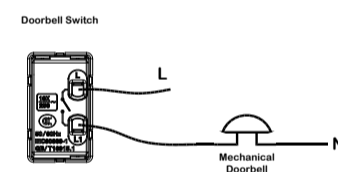
3 Gang 1 Way Switch



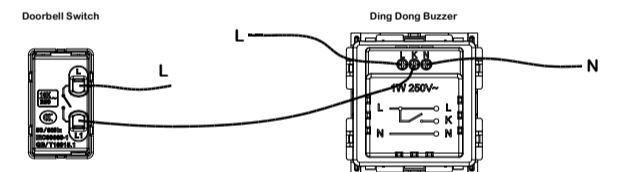
4 Gang 1 Way Switch



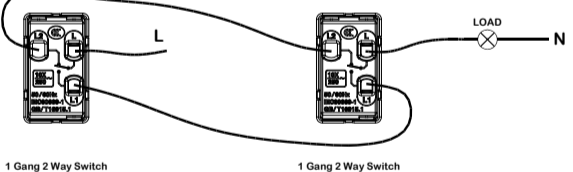
Doorbell Switch with Mechanical Doorbell.



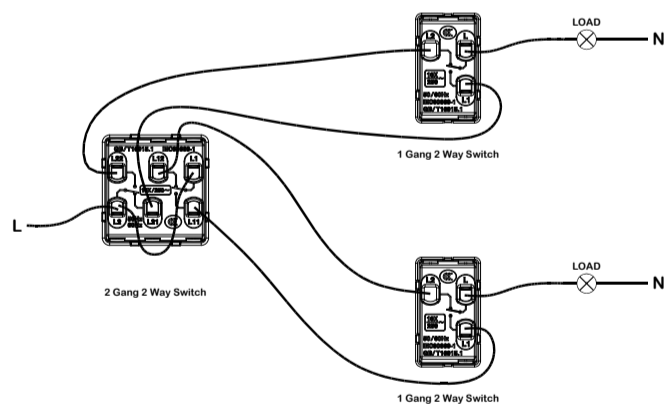
Doorbell Switch with Ding Dong Buzzer.



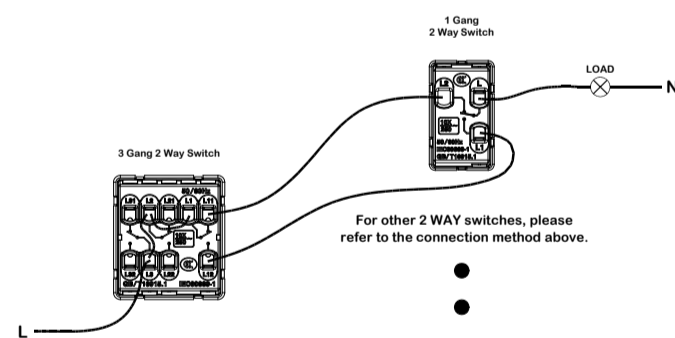
1 Gang 2 Way Switch



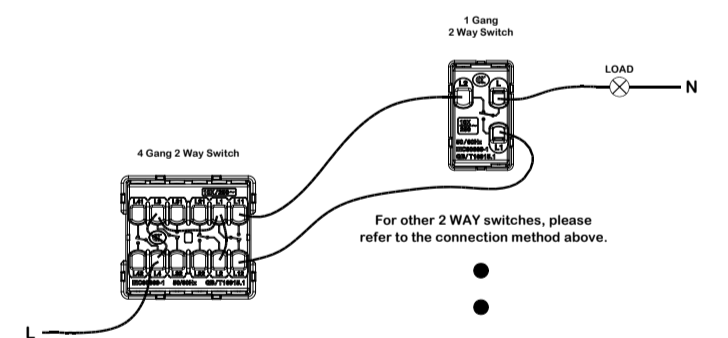
2 Gang 2 Way Switch



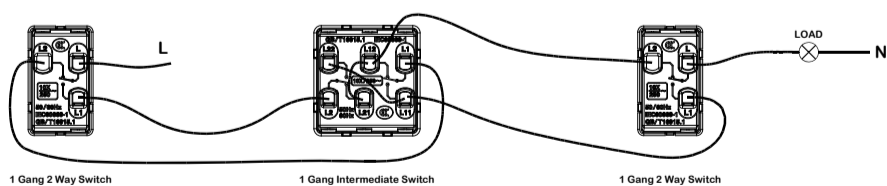
3 Gang 2 Way Switch



4 Gang 2 Way Switch



1 Gang Intermediate Switch



2 Gang Intermediate Switch

