

Mounting Instruction : European Dimmer



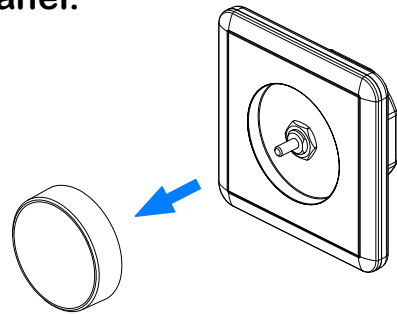
WARNING

Before installation, please read these Installation Instructions carefully.

1. To prevent the risk of electrocution, turn off the mains electricity supply before commencing work.
2. The device must be installed and connected by skilled electricians. otherwise it may cause short circuit or even fire.

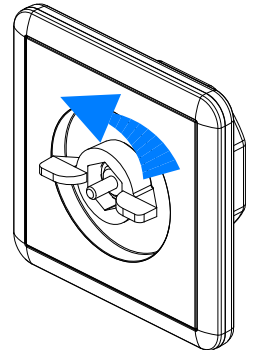
STEP 1 Pull the knob out of the panel.

1



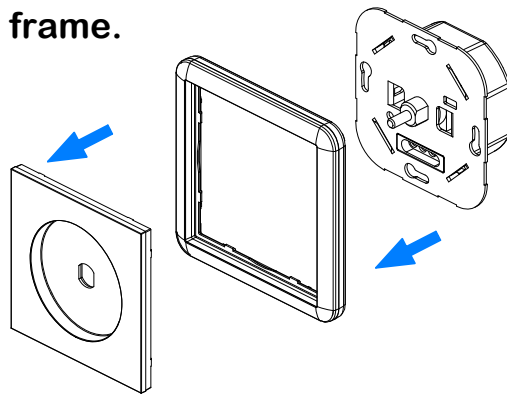
STEP 2 Use the delivered wrench to remove the nut. The direction of rotation is counterclockwise.

2



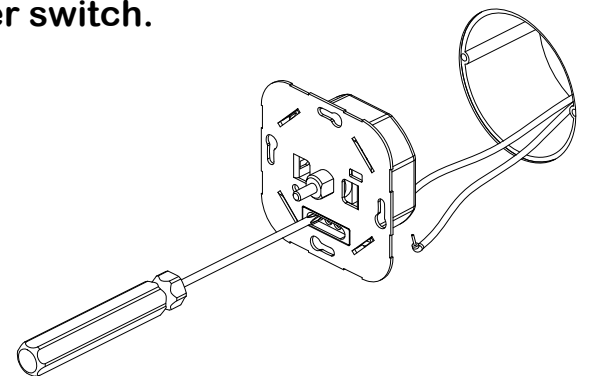
STEP 3 Remove the panel and frame.

3



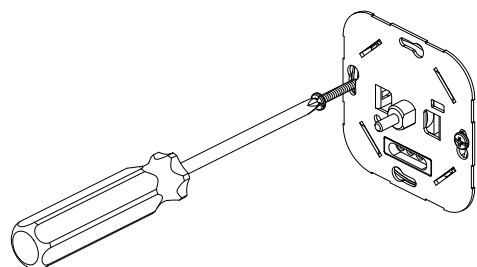
STEP 4 Wiring the dimmer switch.

4



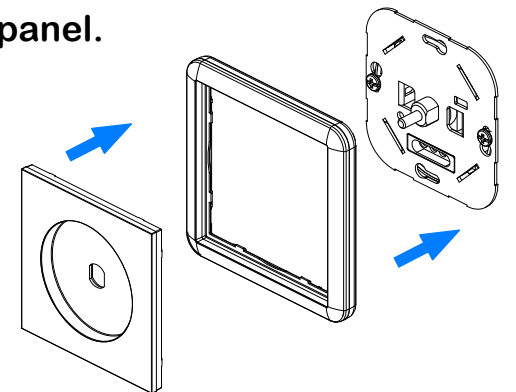
STEP 5 Install the dimmer switch to the wallbox.

5



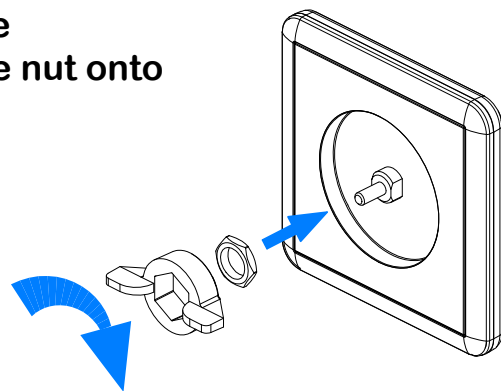
STEP 6 Install the frame and panel.

6



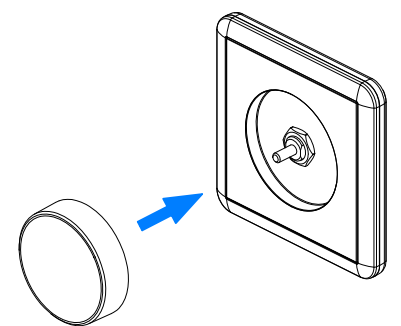
STEP 7 Use a wrench to rotate clockwise to install the nut onto the dimmer switch.

7



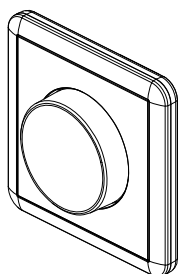
STEP 8 Attach the knob to the dimmer switch.

8

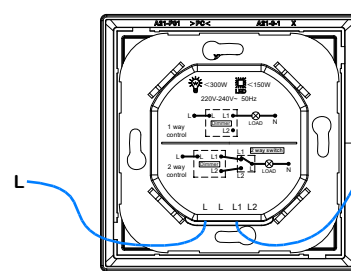


STEP 9 Complete the installation.

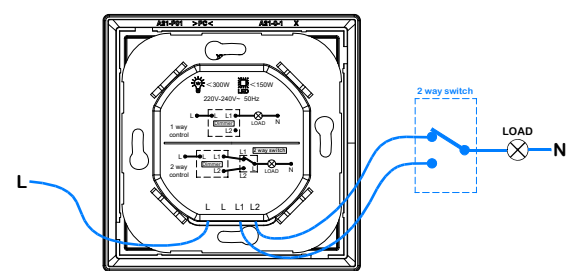
9



Wiring diagram



1 way control



2 way control