

ART
DNA

REIMAGINE
SPACE WITH LIGHT

Dual-Mode Ceiling Light

Full Spectrum | Anti-Glare Design | Smart Life Pro Ecosystem



Zhongshan Gamder Electric Appliance Co., Ltd

Tel: 0086 760 2255 1677 www.artdna-global.com Email: artdnasales_01@gamder.cn
Add: No.8-1 Middle of Industry Avenue, XiaoLan Town, ZhongShan, GuangDong, China.

Dual - Mode

Healthy Lighting

Eye-Care Full-Area Light

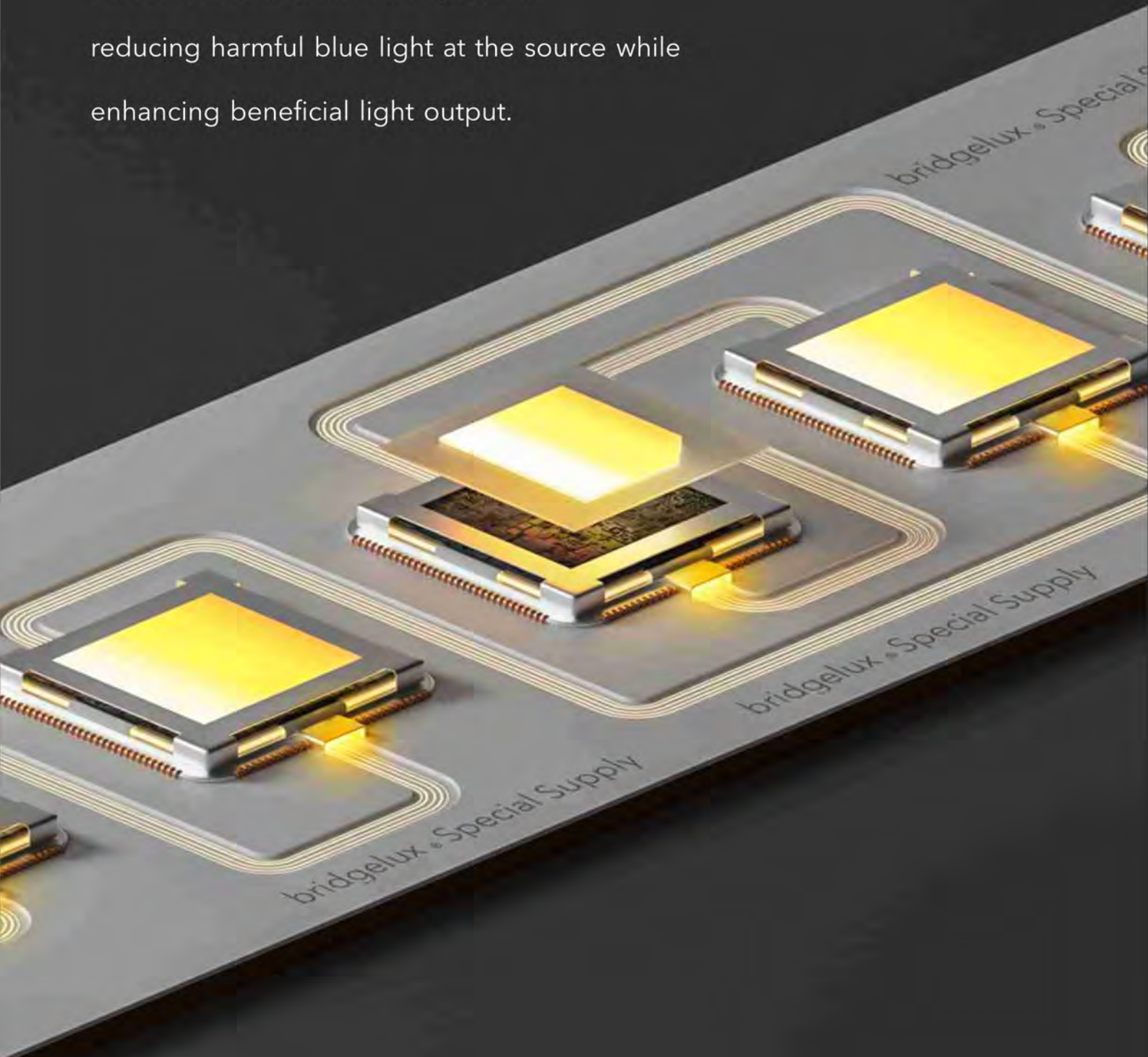
Comfortable Localized Light

Dedicated to
creating a new standard
for healthy home living.

ARTDNA Lighting x Bridgelux Natural Light Integration

All products adopt premium Bridgelux
semiconductor components from the USA.

Closer to the natural solar spectrum
reducing harmful blue light at the source while
enhancing beneficial light output.



Localized Lighting Patented Reflected-Light Design

"See the light, not the lamp."

Adopts indirect reflected lighting
with precision reflector optics,
achieving accurate light distribution
and nearly zero glare.



Irreversible high-frequency blue light harm affects children's vision.

Children's eyes absorb blue light poorly, risking vision damage.



Ra ≥ 98

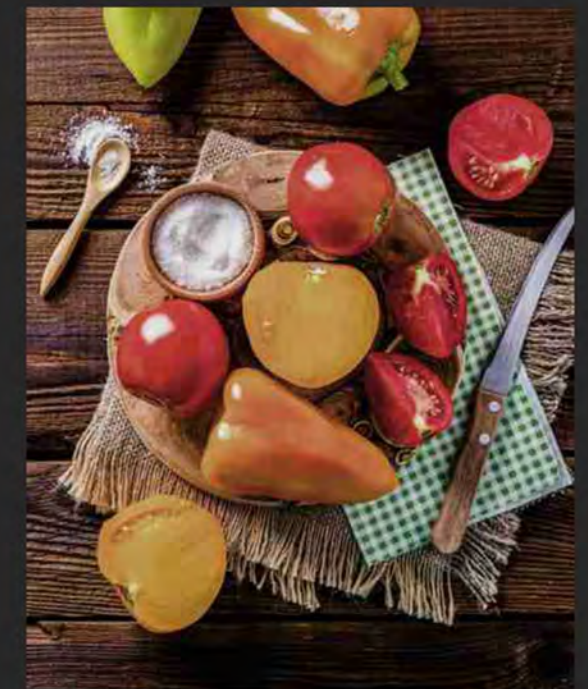
High Color Rendering Index Reveals true-to-life colors

Built-in softness for natural rendering



✓ Ra ≥ 95

Delivers rich, vibrant, and vivid tones.



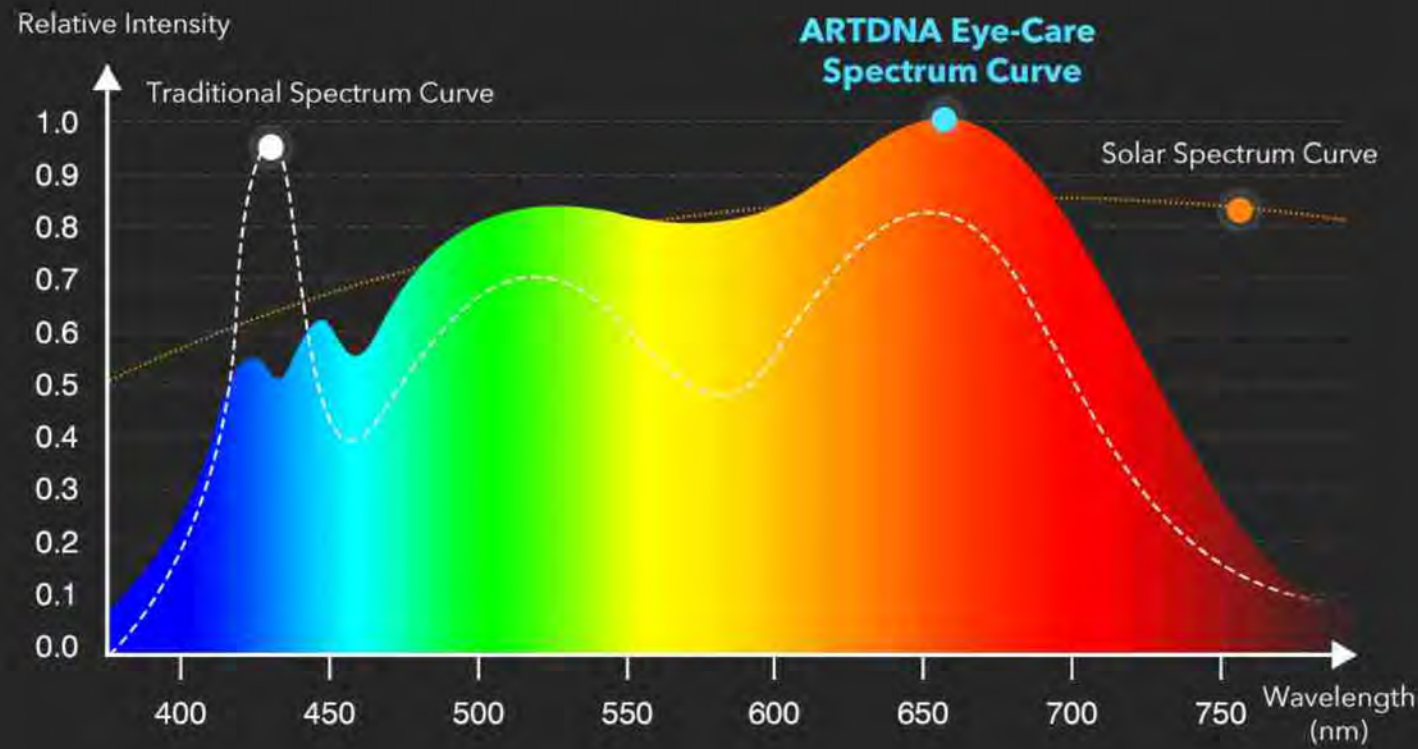
✗ Ra < 80

Produces dull, distorted, and unnatural colors

Low-Blue-Light Healthy Spectrum

The New Standard for Healthy Lighting

Closer to outdoor natural light colors,
enhancing visual comfort



Anti-Glare UGR \leq 3

A New Benchmark in glare control

Delivering a more comfortable visual experience



UGR (Unified Glare Rating) Classification Chart for Lighting

TÜV Rheinland | World-Renowned Authority in Testing Issued Eye-Care Certification

ARTDNA Lighting × TÜV Rheinland
Global Leader in Inspection
and Certification



Zhejiang University | Verified Product Quality

Optical performance and lighting quality validated
Endorsed for reliable and healthy lighting solutions

浙江大学使用家的“反出光”健康护眼照明 产品质量反馈意见

中山市家的电器有限公司：

在我校照明换新工作中，贵公司提供的新型反出光健康护眼灯具，光学参数优秀，使用效果稳定，并得到使用者一致好评。

特此函！


浙江大学总务处
2024年10月17日

Dual-Mode Ceiling Light - When Light Learns to Listen

Some moments ask for brightness, others ask for calm. The Dual-Mode Ceiling Light is made for both.

With a single touch, its reflected ambient light drifts softly across the room, drawing shadows aside, filling slow mornings, quiet evenings, and moments of gentle comfort.

Switch to task mode, and the light becomes clear, focused, purposeful—ready for work, for reading, or any moment that demands clarity.

Two modes. One lamp. Not to change your home, but to follow the rhythm of life within it.

Light that listens. Light that understands.
Light that makes every moment feel just right.



Living Room Lighting

Light defines the mood of space.

The living room is where life happens.
We don't define space with a single light—
we let light respond to every moment.

Reception · Bright & Open

Relaxation · Soft & Layered

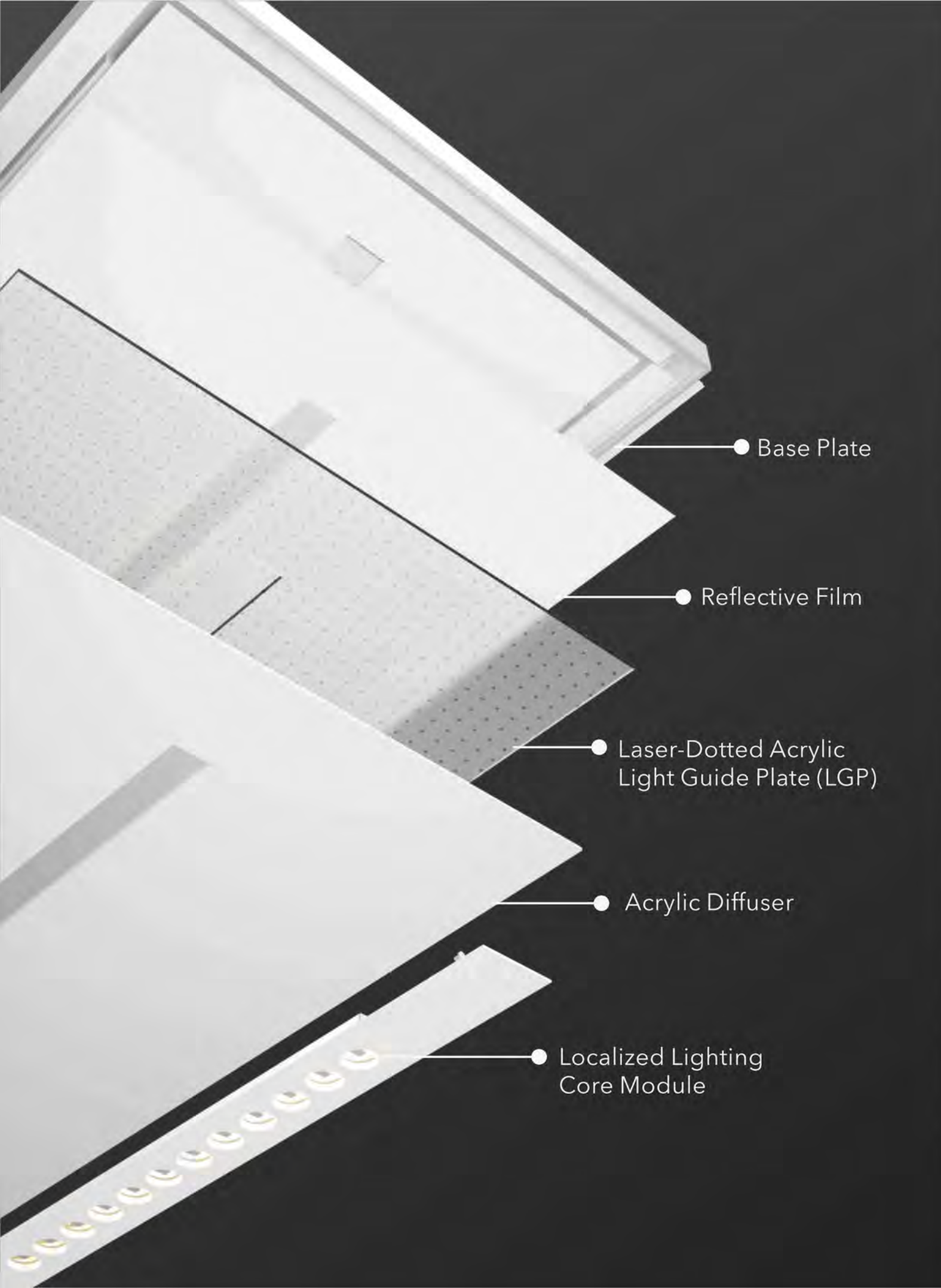
Cinema · Subtle & Immersive

Light is more than illumination.
It shapes experience.

Defined by scenario.
Perfect in every moment.

Living Room Lighting Solution

Dual-Mode Eye-Care Ceiling Light



To integrate accent lighting into a ceiling light, four essentials are required:

Sufficient Brightness: Minimum 18W for effective accent lighting

Superior Anti-Glare: "See the light, not the lamp" for maximum comfort

Slim Structure: $\leq 35\text{mm}$ thickness for seamless integration

Optimized Beam Angle: $24^\circ\text{-}36^\circ$ for precise light control and ambiance

17mm



Localized lighting adopts an 18-24W high-output solution

36° beam angle ensures sufficient coverage

Reflected light optical design achieves $\text{UGR} < 5$



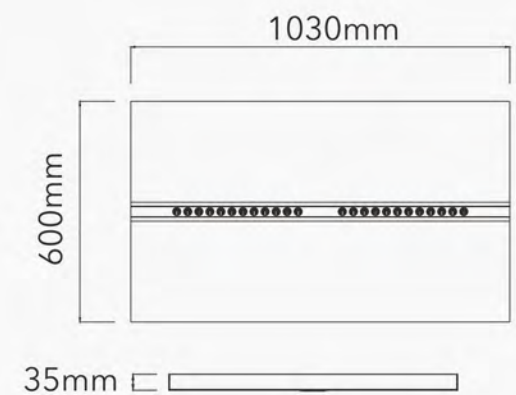
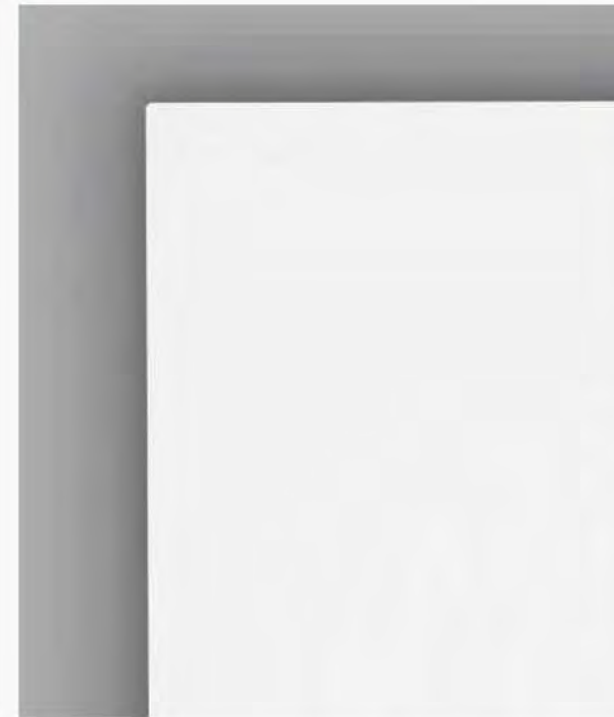


General Lighting



Localized Lighting

A Perfect Balance Of Design And Value



Model: Ultra L1100

Dimensions	L1030 × W600 × H35 mm
Lighting Power (General / Localized)	120W / 18W
Lighting Principle (General / Localized)	Edge-lit Reflected Light
LGP Material	Laser-dotted Acrylic
Diffuser	Acrylic
Luminous Flux	7923lm
Beam Angle	36°
CRI	≥ 98
UGR	≤ 5

Key Features

- 1. Seamless ceiling integration
- 2. Frameless full-panel design
- 3. Edge-lit system for softer, eye-friendly light
- 4. High-efficiency laser-dotted acrylic LGP
- 5. Frosted acrylic diffuser
- 6. Reflected localized lighting, 18W, UGR ≤5
- 7. Premium optical performance

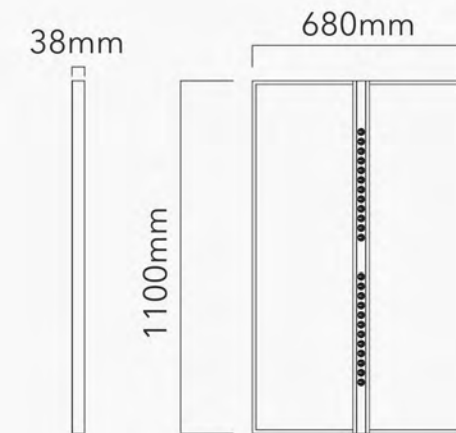
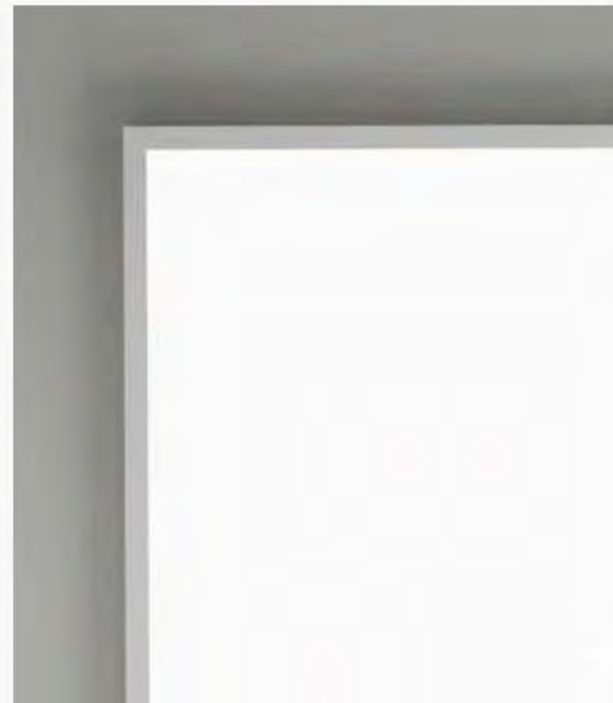


General Lighting



Localized Lighting

The Perfect Balance Of Design And Performance



Model: Pro L1100

Dimensions	L1100 × W680 × H38 mm
Lighting Power (General / Localized)	200W / 24W
Lighting Principle (General / Localized)	Edge-lit Reflected Light
Diffuser Material	PS
Luminous Flux	11894lm
Beam Angle	36°
CRI	≥ 98
UGR	≤ 5

Key Features

- 1. Seamless ceiling integration
- 2. Slim-frame design
- 3. Direct general lighting for higher brightness
- 4. Reflected localized lighting, 18W, UGR ≤ 5
- 5. Premium optical performance

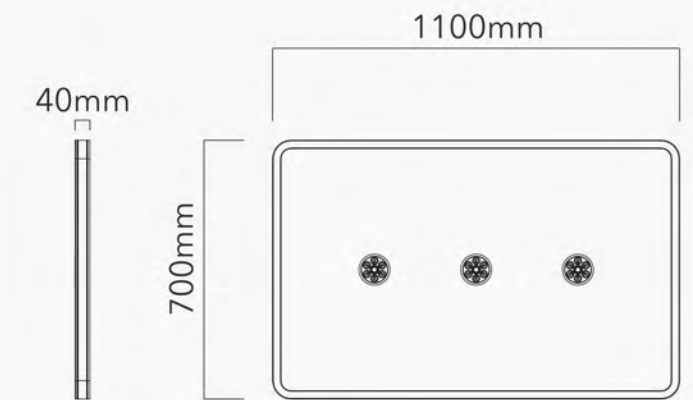
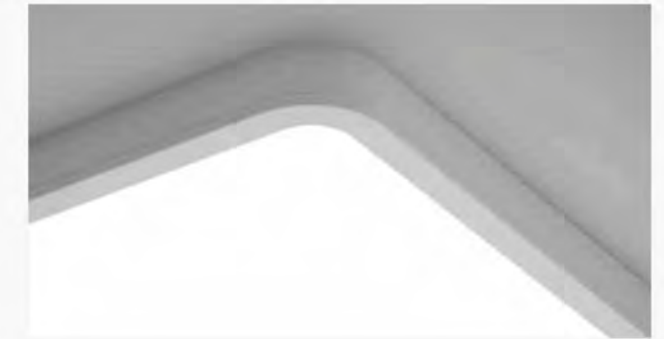


General Lighting



Localized Lighting

Distinctive Design Aesthetics



Model: Air L1100

Dimensions	L1100 × W700 × H40 mm
Lighting Power (General / Localized)	190W / 18W
Lighting Principle (General / Localized)	Edge-lit Reflected Light
Diffuser Material	PS
Luminous Flux	11300lm
Beam Angle	36°
CRI	≥ 98
UGR	≤ 5

Key Features

- 1. Seamless ceiling integration
- 2. Unique accent lighting design
- 3. Direct general lighting for higher brightness
- 4. Reflected localized lighting, 18W, UGR ≤5
- 5. Premium optical performance

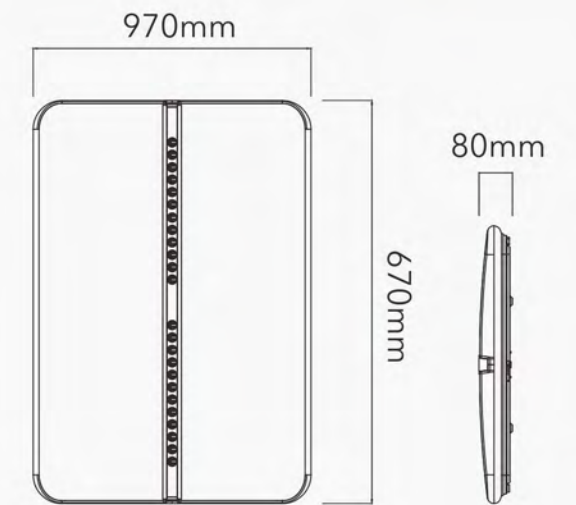


General Lighting



Localized Lighting

Best Value Option



Model: Lite L1100

Dimensions L970 × W670 × H80 mm

Lighting Power (General / Localized) 120W / 18W

Lighting Principle (General / Localized) Edge-lit Reflected Light

Diffuser Material PVC

Luminous Flux 7560lm

Beam Angle 36°

CRI ≥ 98

UGR ≤ 5

Key Features

- 1. Cost-efficient design
- 2. Reflected localized lighting, 18W, UGR ≤ 5
- 3. Premium optical performance

Ultra Series Full-panel seamless design



Air Series Unique design aesthetics



Pro Series Slim-frame seamless design



Lite Series Best value



Bedroom Lighting

The most private space.
Light, more refined.
Not just bright or dim—
but responsive to every moment.

Daily · Bright & Clear

Pre-sleep · Soft & Calm

Night · Subtle Guidance

Visible light, hidden source.
Light, without disturbance.

Defined by scenario.
Designed for rest.

Bedroom Lighting Solution

Dual-Mode Eye-Care Ceiling Light

Ultra Series Full-panel seamless design



Air Series Unique design aesthetics



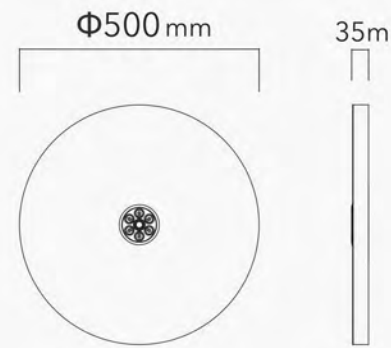
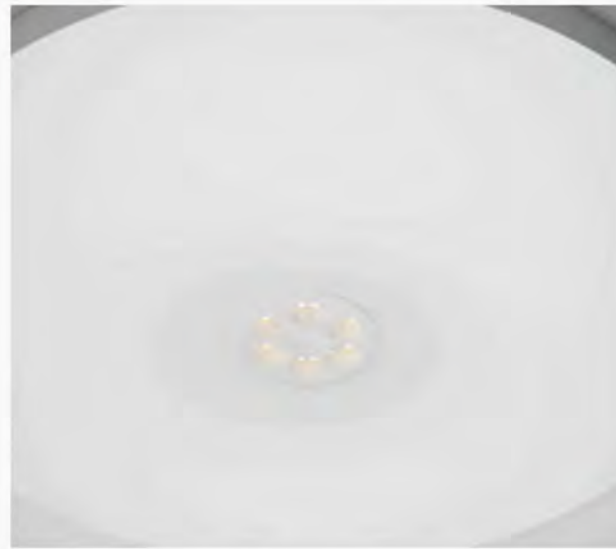
Pro Series Slim-frame seamless design



Lite Series Best value



A Perfect Balance Of Design And Value



Model: Ultra D500

Dimensions	$\Phi 500 \times H35$ mm
Lighting Power (General / Localized)	60W / 8W
Lighting Principle (General / Localized)	Edge-lit Reflected Light
LGP Material	Laser-dotted Acrylic
Diffuser	Acrylic
Luminous Flux	4080lm
Beam Angle	36°
CRI	≥ 98
UGR	≤ 5

Key Features

- 1. Seamless ceiling integration
- 2. Frameless full-panel design
- 3. Edge-lit system for softer, eye-friendly light
- 4. High-efficiency laser-dotted acrylic LGP
- 5. Frosted acrylic diffuser
- 6. Reflected localized lighting, 8W, UGR ≤ 5
- 7. Premium optical performance

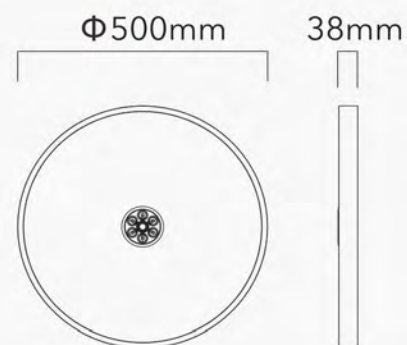


General Lighting



Localized Lighting

The Perfect Balance Of Design And Performance



Model: Pro D500

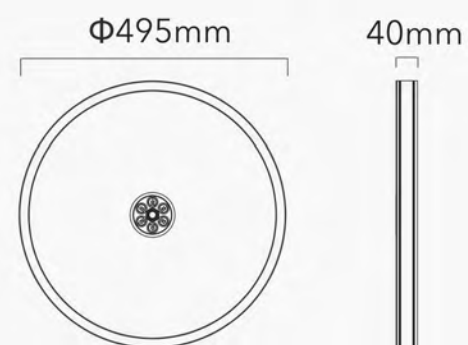
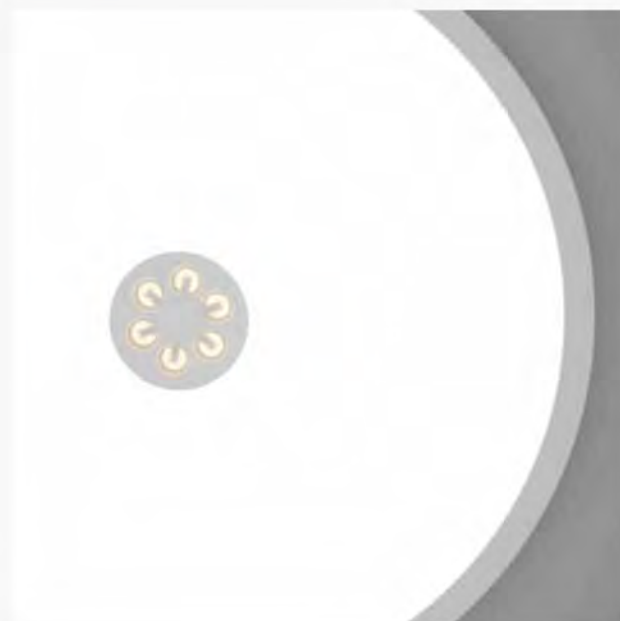
Dimensions	Φ500 × H38 mm
Lighting Power (General / Localized)	65W / 8W
Lighting Principle (General / Localized)	Edge-lit Reflected Light
Diffuser Material	PS
Luminous Flux	3982lm
Beam Angle	36°
CRI	≥ 98
UGR	≤ 5

Key Features

- 1. Seamless ceiling integration
- 2. Slim-frame design
- 3. Direct general lighting for higher brightness
- 4. Reflected localized lighting, 8W, UGR ≤5
- 5. Premium optical performance



Distinctive Design Aesthetics



Model: Air D500

Dimensions	$\Phi 495 \times H40 \text{ mm}$
Lighting Power (General / Localized)	65W / 8W
Lighting Principle (General / Localized)	Edge-lit Reflected Light
Diffuser Material	PS
Luminous Flux	4500lm
Beam Angle	36°
CRI	≥ 98
UGR	≤ 5

Key Features

- 1. Seamless ceiling integration
- 2. Unique accent lighting design
- 3. Direct general lighting for higher brightness
- 4. Reflected localized lighting, 8W, UGR ≤ 5
- 5. Premium optical performance

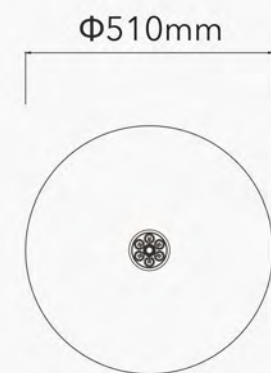


General Lighting



Localized Lighting

Best Value Option



Model: Lite D500

Dimensions	Φ510 × H80 mm
Lighting Power (General / Localized)	52W / 6W
Lighting Principle (General / Localized)	Edge-lit Reflected Light
Diffuser Material	PVC
Luminous Flux	5500lm
Beam Angle	36°
CRI	≥ 98
UGR	≤ 5

Key Features

- 1. Cost-efficient design
- 2. Reflected localized lighting, 8W, UGR ≤ 5
- 3. Premium optical performance





Bright Mode
For Work • Reading • Daily Tasks



Ambient Mode
For Rest • Relaxation • Slow Evenings



**Dual-Mode Reflected Light
Smart Eye-Care Bedroom Lamp**
ITEM NO.: Y0HCFXD51SP1

▪ Dimensions	Ø510*H80mm
▪ Power	Main 36W+ Auxiliary 8W
▪ Input	220V
▪ Luminous Flux	4000 lm
▪ Beam Angle	24°
▪ Ra	Ra>95
▪ UGR	≤3
▪ Color	White
▪ CCT	4000k

Full-Area Lighting
Uniform illumination
with no dark corners

3000 Luminous Flux
lm

44 Power
w



Dual Light Sources Activated

8 Increased Power Output
w

Exclusive brightness-boosting function

30 Enhanced Brightness
%

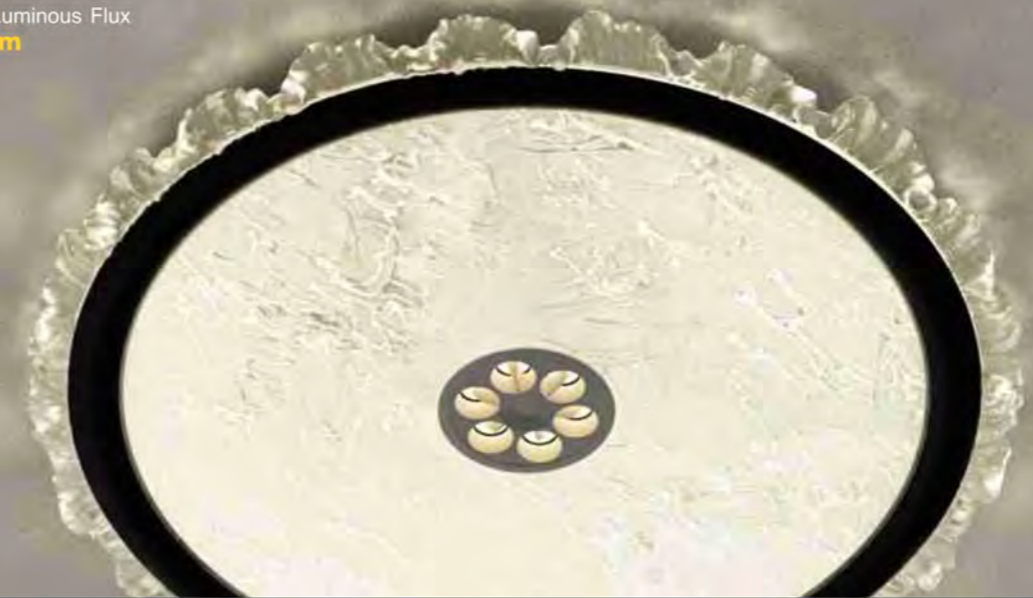




Full-Area Lighting
Uniform illumination
with no dark corners

3000 Luminous Flux
 lm

44 Power
 w



Dual Light Sources Activated

8 Increased Power Output
 w

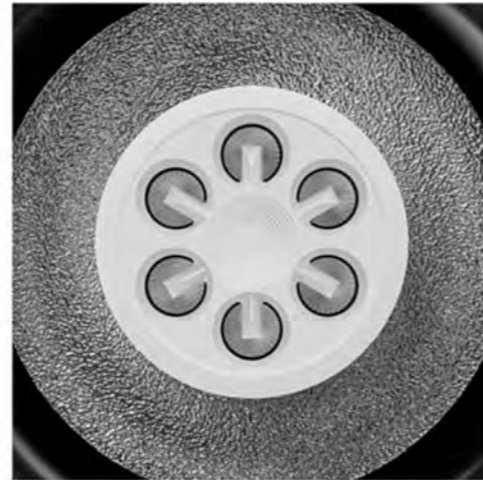
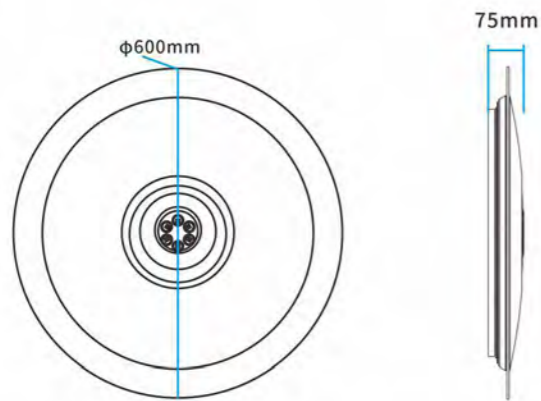
Exclusive brightness-boosting function

30 Enhanced Brightness
 %



Dual-Mode Reflected Light
Smart Eye-Care Bedroom Lamp
 ITEM NO.: Y0HCFXD51SP2

▪ Dimensions	Ø510*H80mm
▪ Power	Main 36W + Auxiliary 8W
▪ Input	220V
▪ Luminous Flux	4000 lm
▪ Beam Angle	24°
▪ Ra	Ra>95
▪ UGR	≤3
▪ Color	White
▪ CCT	4000k



**Dual-Mode Reflected Light
Smart Eye-Care Bedroom Lamp**
ITEM NO.:Y0HDFXD60DP1

▪ Dimensions	Ø600*H75mm
▪ Power	Main 52W+Auxiliary 6W
▪ Input	220V
▪ Luminous Flux	5500lm
▪ Beam Angle	24°
▪ Ra	Ra>95
▪ UGR	≤3
▪ Color	White
▪ CCT	4000k



Full-Area Lighting
Uniform illumination
with no dark corners

4000 Luminous Flux
lm

80 Power
w



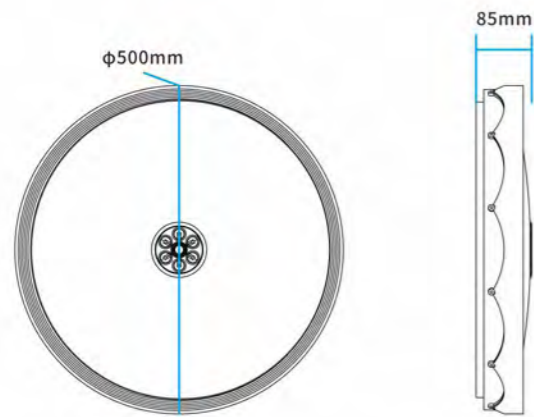
Dual Light Sources Activated

8 Increased Power Output
w

Exclusive brightness-boosting function

30 Enhanced Brightness
%





**Dual-Mode Reflected Light
Smart Eye-Care Bedroom Lamp**
ITEM NO.:Y0HDFXD50DP1

▪ Dimensions	Ø500*H85mm
▪ Power	Main 52W+Auxiliary 6W
▪ Input	220V
▪ Luminous Flux	5500 lm
▪ Beam Angle	24°
▪ Ra	Ra>95
▪ UGR	≤3
▪ Color	White / Pink / Blue
▪ CCT	4000k

Full-Area Lighting
Uniform illumination
with no dark corners

4000 Luminous Flux
lm

58 Power
w



Dual Light Sources Activated

6 Increased Power Output
w

Exclusive brightness-boosting function

30 Enhanced Brightness
%

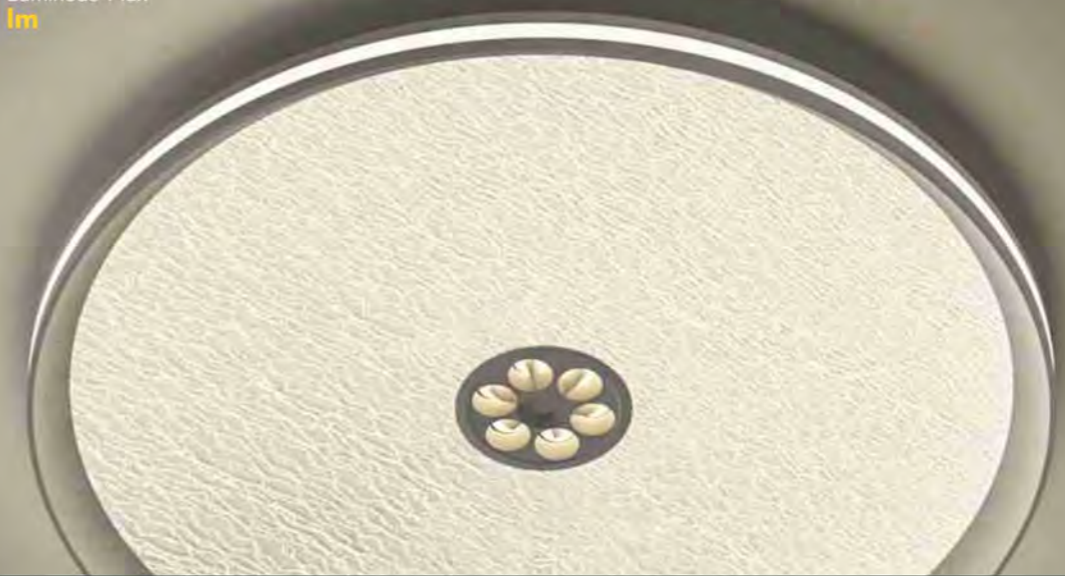




Full-Area Lighting
Uniform illumination
with no dark corners

4000 Luminous Flux
 lm

52 Power
 W

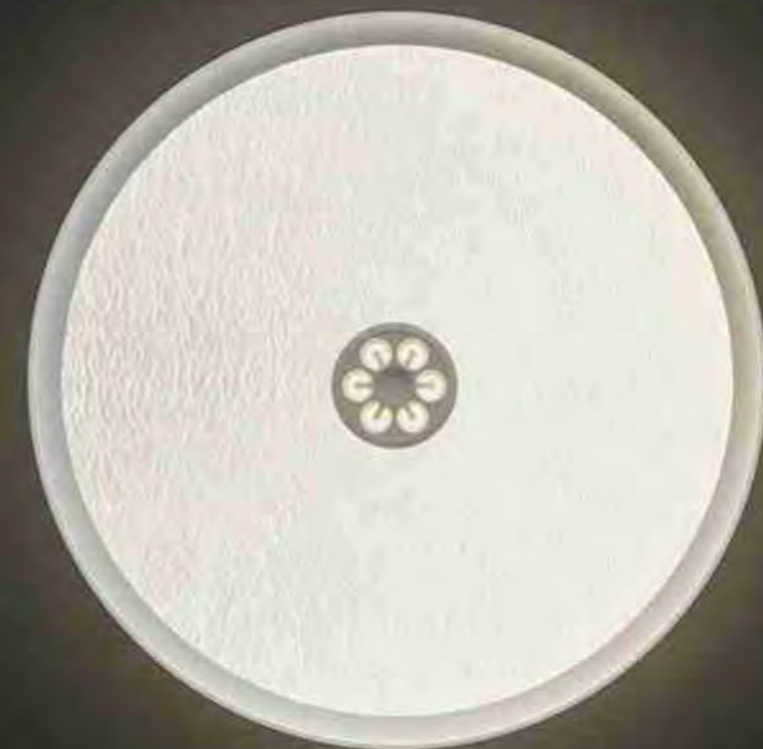


Dual Light Sources Activated

10 Increased Power Output
 W

Exclusive brightness-boosting function

30 Enhanced Brightness
 %



Dual-Mode Reflected Light
Smart Eye-Care Bedroom Lamp
 ITEM NO.: Y0HCFXD48SP2

▪ Dimensions	Ø480*H60mm
▪ Power	Main 42W + Auxiliary 10W
▪ Input	220V
▪ Luminous Flux	5000 lm
▪ Beam Angle	24°
▪ Ra	Ra>95
▪ UGR	≤3
▪ Color	White
▪ CCT	4000k

Multiple Models Available



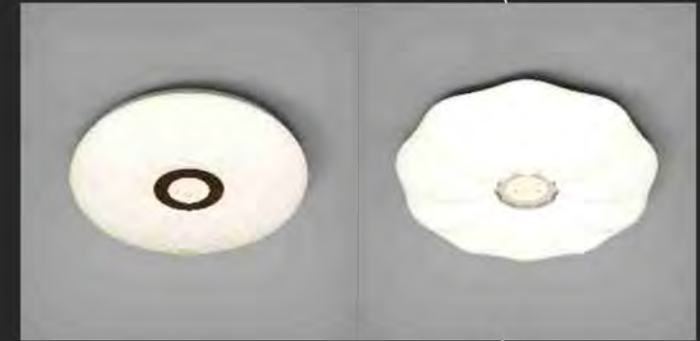
Crystal Decoration



Metal Acrylic Skin



Minimalist Aesthetics



Compatible with Smart Life Pro Ecosystem

Seamless Whole-Home Smart Integration | Smart Living

Smart Illumination, Tailored to You

